

## **Section Seven — Wiring and Block Diagrams**

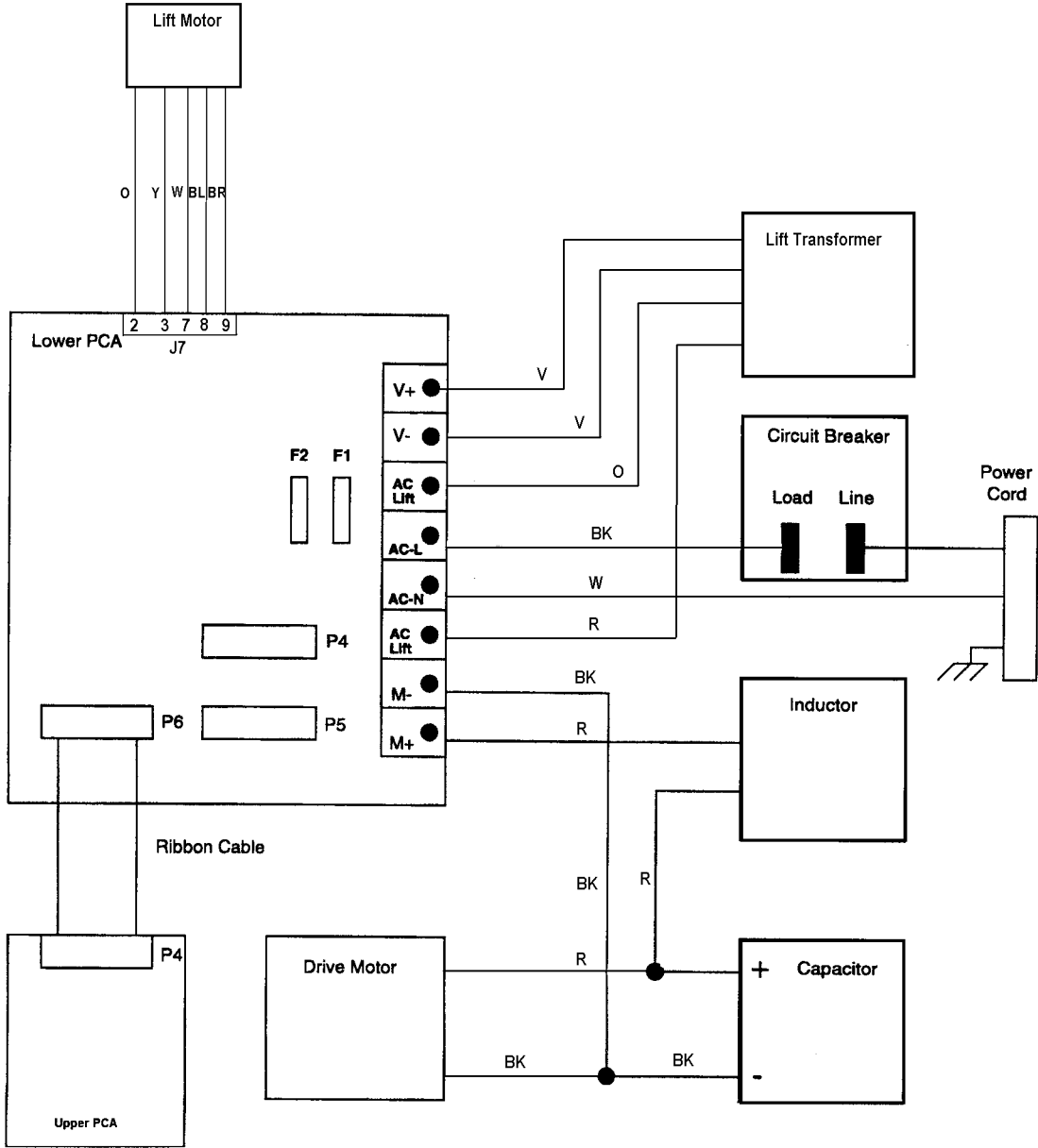
**Wiring Diagram 7.1 — 9.4, 9.4SP ..... 7-2**

**Block Diagram 7.2 — 9.4, 9.4SP..... 7-3**

**Wiring Diagram 7.3 — 9.4EL..... 7-4**

**Block Diagram 7.4 — 9.4EL..... 7-5**

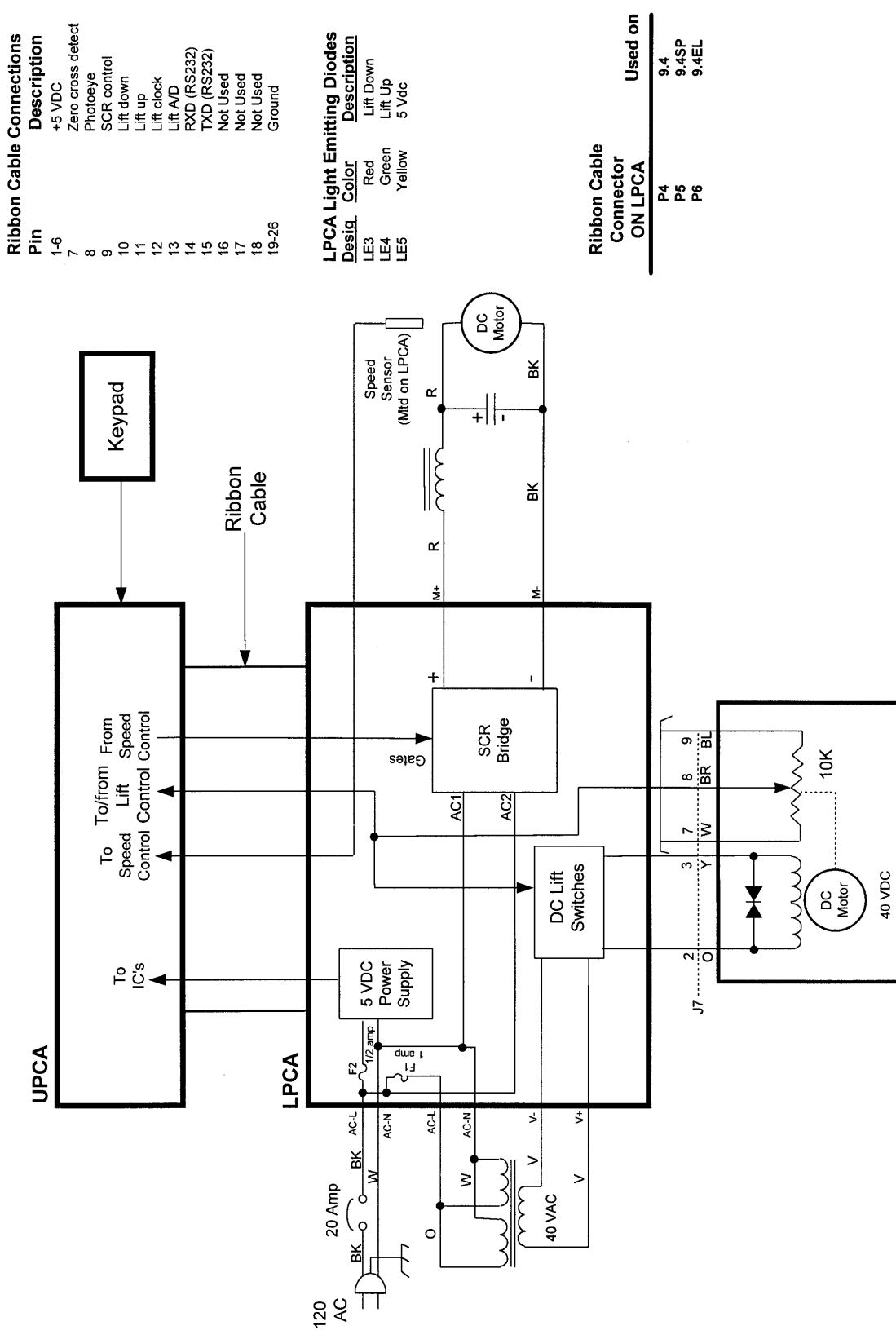
### Wiring Diagram 7.1 — 9.4, 9.4SP



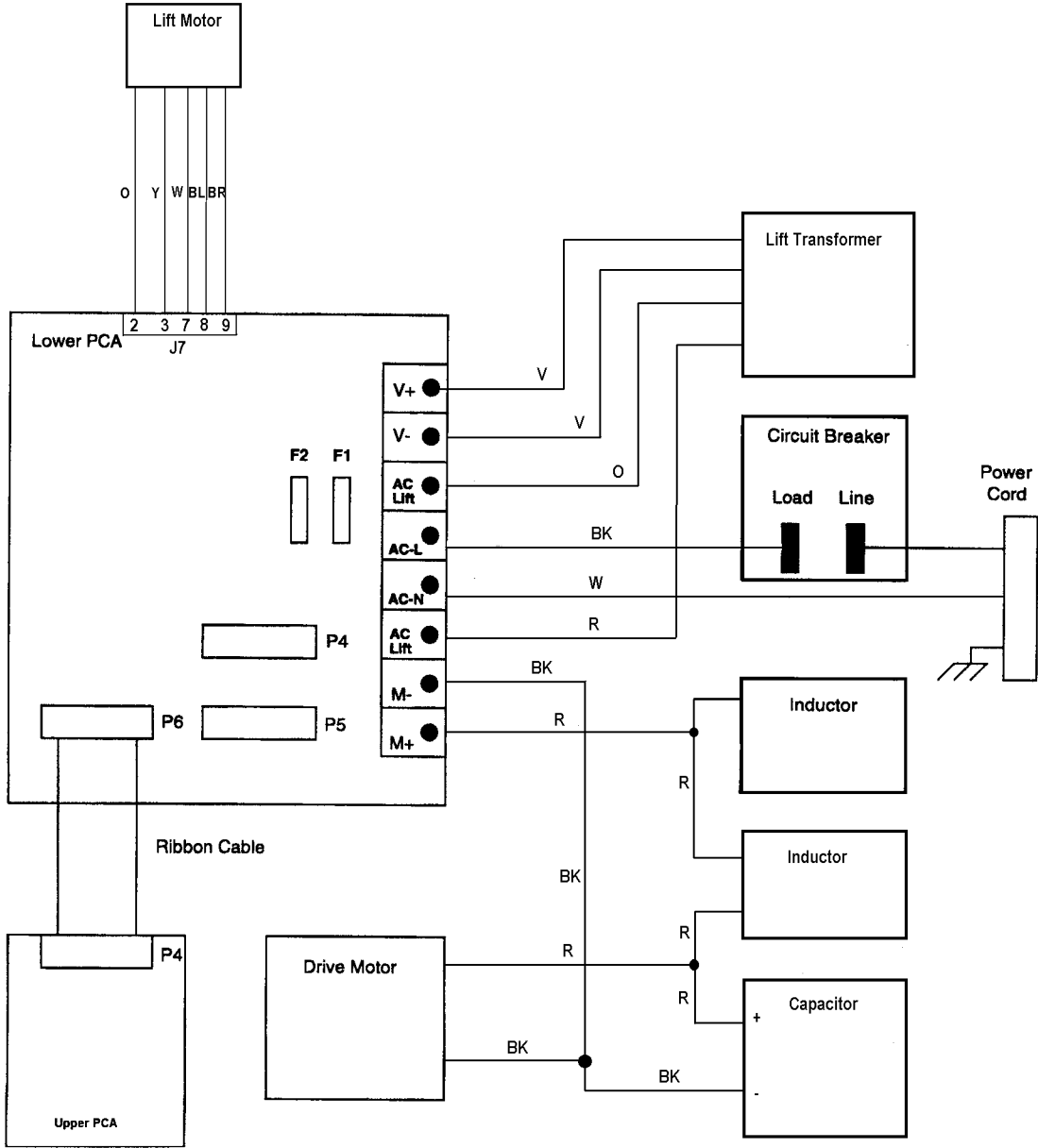
# Block Diagram 7.2 — 9.4, 9.4SP



## 9.4, 9.4SP Treadmill



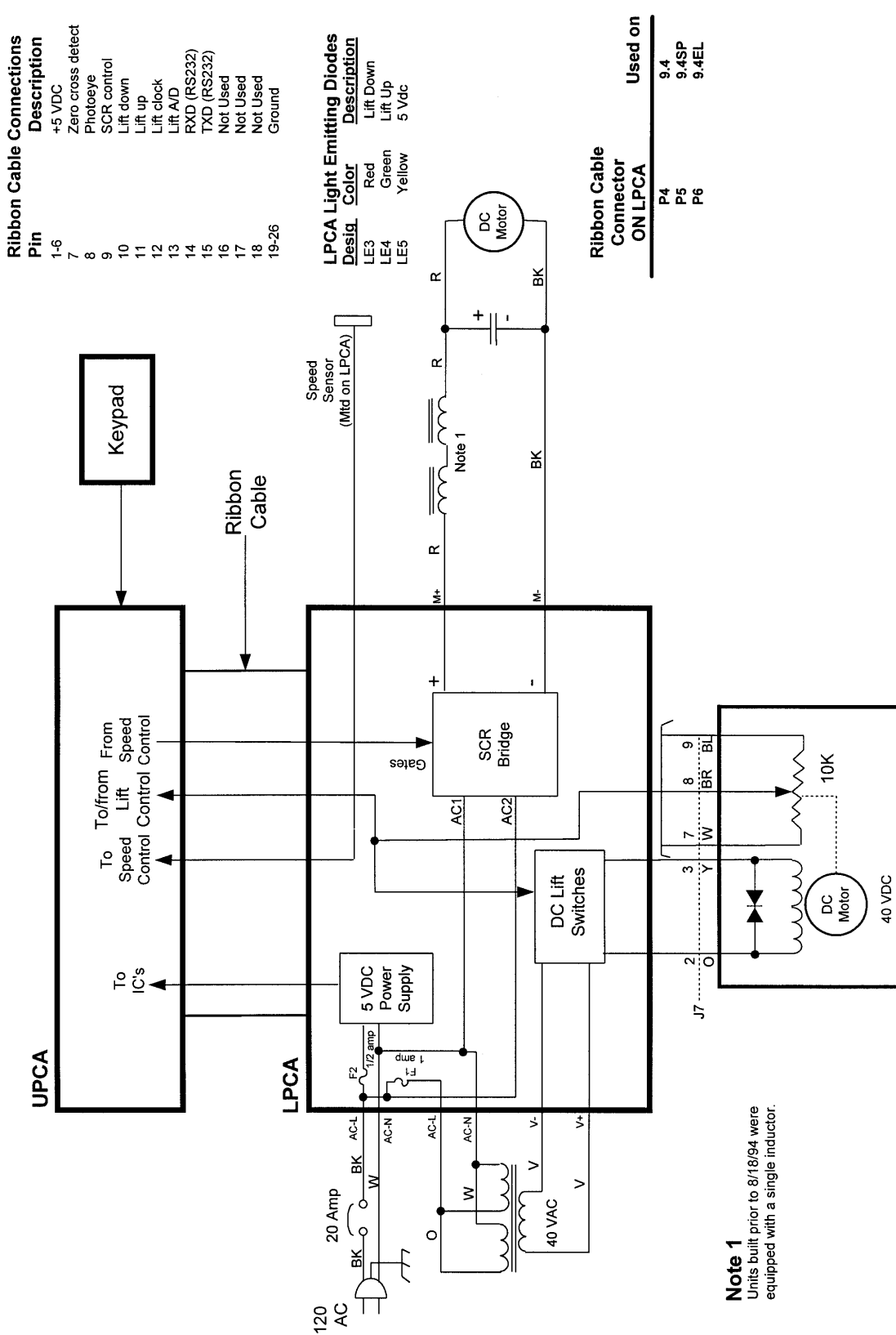
### Wiring Diagram 7.3 — 9.4EL



# Block Diagram — 9.4EL



## 9.4EL Treadmill



Pin	Description
1-6	+5 VDC
7	Zero cross detect
8	Photoeye
9	SCR control
10	Lift down
11	Lift up
12	Lift clock
13	Lift A/D
14	RXD (RS232)
15	TXD (RS232)
16	Not Used
17	Not Used
18	Not Used
19-26	Ground

Design	Color	Description
LE3	Red	Lift Down
LE4	Green	Lift Up
LE5	Yellow	5 Vdc

Ribbon Cable Connector ON LPCA	Used on
P4	9.4
P5	9.4SP
P6	9.4EL

**Note 1**  
Units built prior to 8/18/94 were equipped with a single inductor.